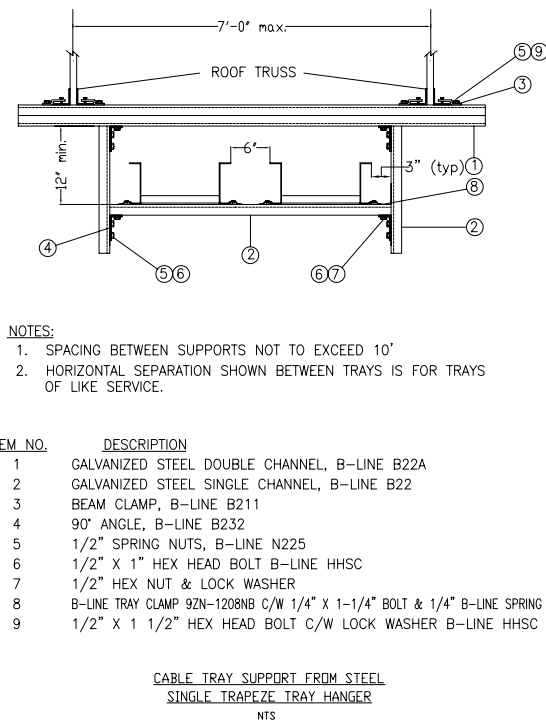
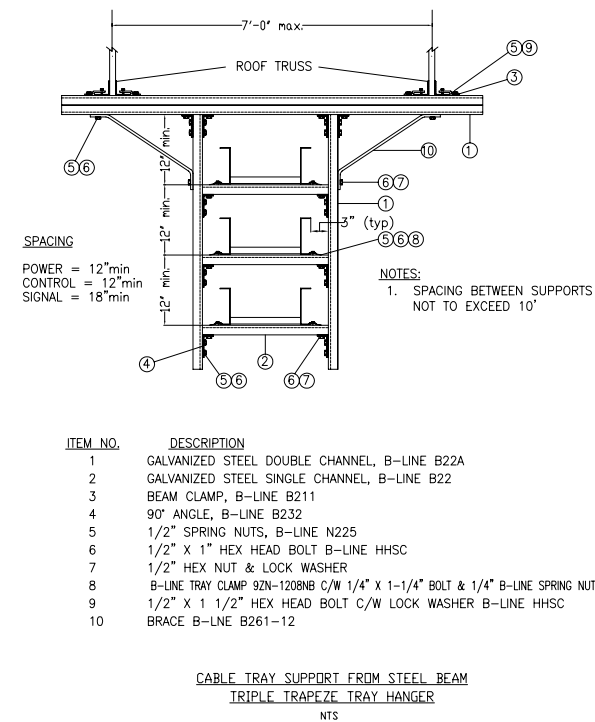


SPACING
 POWER = 12" min
 CONTROL = 12" min
 SIGNAL = 18" min



NOTES:
 1. SPACING BETWEEN SUPPORTS NOT TO EXCEED 10'
 2. HORIZONTAL SEPARATION SHOWN BETWEEN TRAYS IS FOR TRAYS OF LIKE SERVICE.

ITEM NO.	DESCRIPTION
1	GALVANIZED STEEL DOUBLE CHANNEL, B-LINE B22A
2	GALVANIZED STEEL SINGLE CHANNEL, B-LINE B22
3	BEAM CLAMP, B-LINE B211
4	90° ANGLE, B-LINE B232
5	1/2" SPRING NUTS, B-LINE N225
6	1/2" x 1" HEX HEAD BOLT B-LINE HHSC
7	1/2" HEX NUT & LOCK WASHER
8	B-LINE TRAY CLAMP 92N-1208NB C/W 1/4" x 1-1/4" BOLT & 1/4" B-LINE SPRING NUT N224
9	1/2" x 1 1/2" HEX HEAD BOLT C/W LOCK WASHER B-LINE HHSC



SPACING
 POWER = 12" min
 CONTROL = 12" min
 SIGNAL = 18" min

NOTES:
 1. SPACING BETWEEN SUPPORTS NOT TO EXCEED 10'

ITEM NO.	DESCRIPTION
1	GALVANIZED STEEL DOUBLE CHANNEL, B-LINE B22A
2	GALVANIZED STEEL SINGLE CHANNEL, B-LINE B22
3	BEAM CLAMP, B-LINE B211
4	90° ANGLE, B-LINE B232
5	1/2" SPRING NUTS, B-LINE N225
6	1/2" x 1" HEX HEAD BOLT B-LINE HHSC
7	1/2" HEX NUT & LOCK WASHER
8	B-LINE TRAY CLAMP 92N-1208NB C/W 1/4" x 1-1/4" BOLT & 1/4" B-LINE SPRING NUT N224
9	1/2" x 1 1/2" HEX HEAD BOLT C/W LOCK WASHER B-LINE HHSC
10	BRACE B-LINE B261-12

No.	DATE	BY	DESCRIPTION	CHKD.
REVISIONS				

DWG. No.	TITLE
REFERENCE DRAWINGS	
<input type="checkbox"/>	PRELIMINARY - NOT FOR CONSTRUCTION
<input checked="" type="checkbox"/>	APPROVED FOR CONSTRUCTION
<input type="checkbox"/>	SUPERSEDES ALL PREVIOUS ISSUES
BY	DATE
DESIGNED	DRAWN
CHECKED	DATE
DESIGN	DRAWING
PROJECT MANAGER	SPECIFICATION No.
PROJECT TECHNICIAN	

ENGINEERING LTD.
 Fredericton, NB

AREA NAME

TRAY SUPPORT DETAILS AND GROUNDING/BONDING DETAILS

JOB No. CONSULTANT DWG. No.

DWG. No. 256084-00032