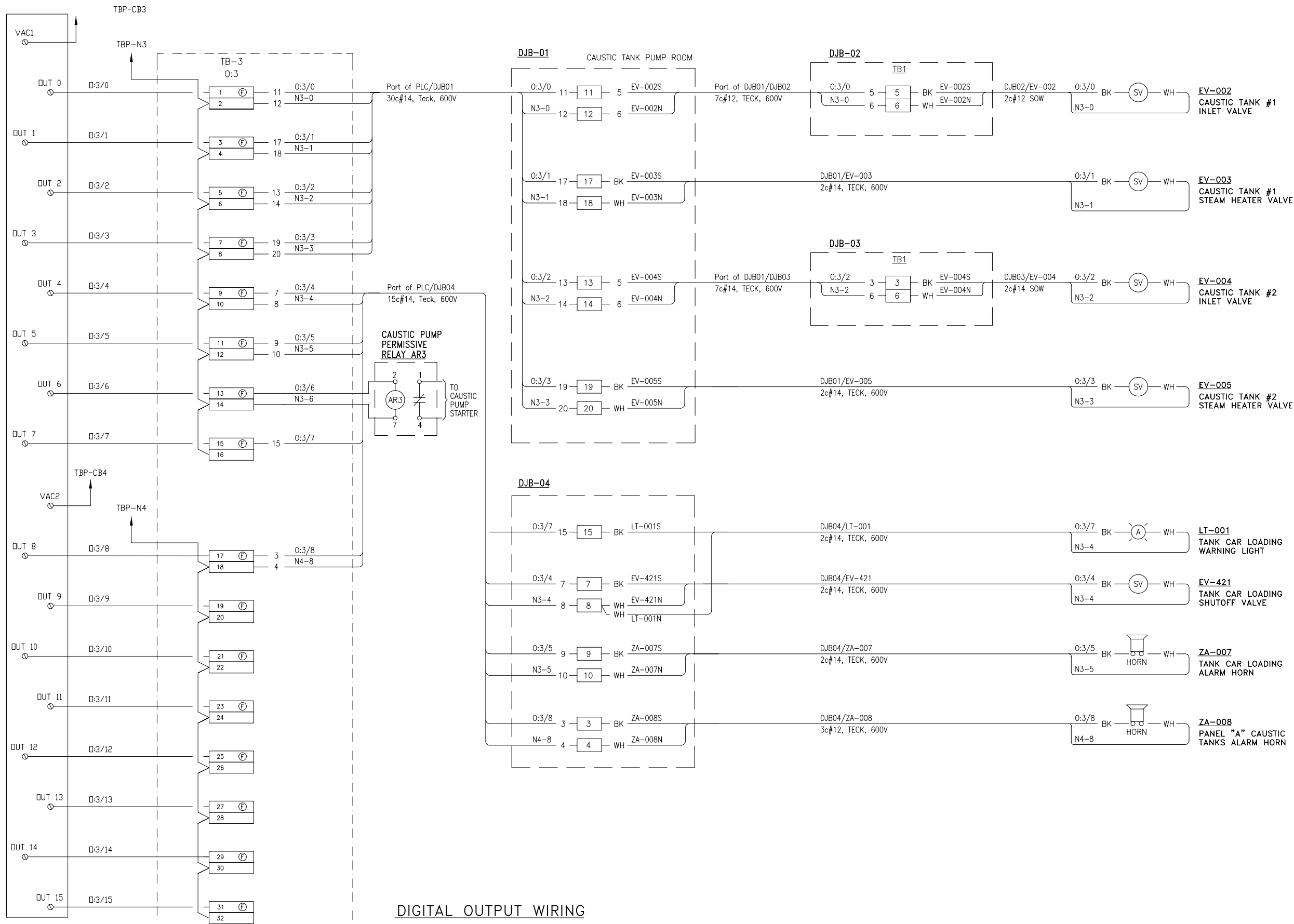


SLOT: 3
 MODULE: 1746-OA16
 TYPE: DIGITAL OUTPUT



← WIRING BY PANEL VENDOR FIELD WIRING →

No.	DATE	BY	DESCRIPTION	CHKD.
3	5 DEC 2000	RJA	AS BUILTS	
2	17 JUL 2000	RJA	ISSUED FOR CONSTRUCTION	
1	27 JUN 2000	RJA	FIELD DEVICES ADDED ISSUED FOR TENDER	
0	12 JUN 2000	RJA	ISSUED FOR PANEL CONSTRUCTION	
A	05 JUN 2000	RJA	ISSUED FOR QUOTATION	IJB

REVISIONS	
No.	DESCRIPTION

REFERENCE DRAWINGS	
<input type="checkbox"/>	PRELIMINARY - NOT FOR CONSTRUCTION
<input checked="" type="checkbox"/>	APPROVED FOR CONSTRUCTION
<input type="checkbox"/>	SUPERSEDES ALL PREVIOUS ISSUES

BY	DATE
DESIGNED IJB	DRAWN RJA
CHECKED	DATE MAY 26, 2000
DESIGN	SCALE NTS
PROJECT MANAGER IJB	SPECIFICATION No. S10010-001
PROJECT TECHNICIAN RJA	



AREA NAME

PLC I/O CARD
 WIRING DIAGRAM
 DIGITAL OUTPUT 0:3

JOB No. 10010 CONSULTANT DWG. No.

DWG. No. 10010-015 3/3