

RR32-LM1007-R4

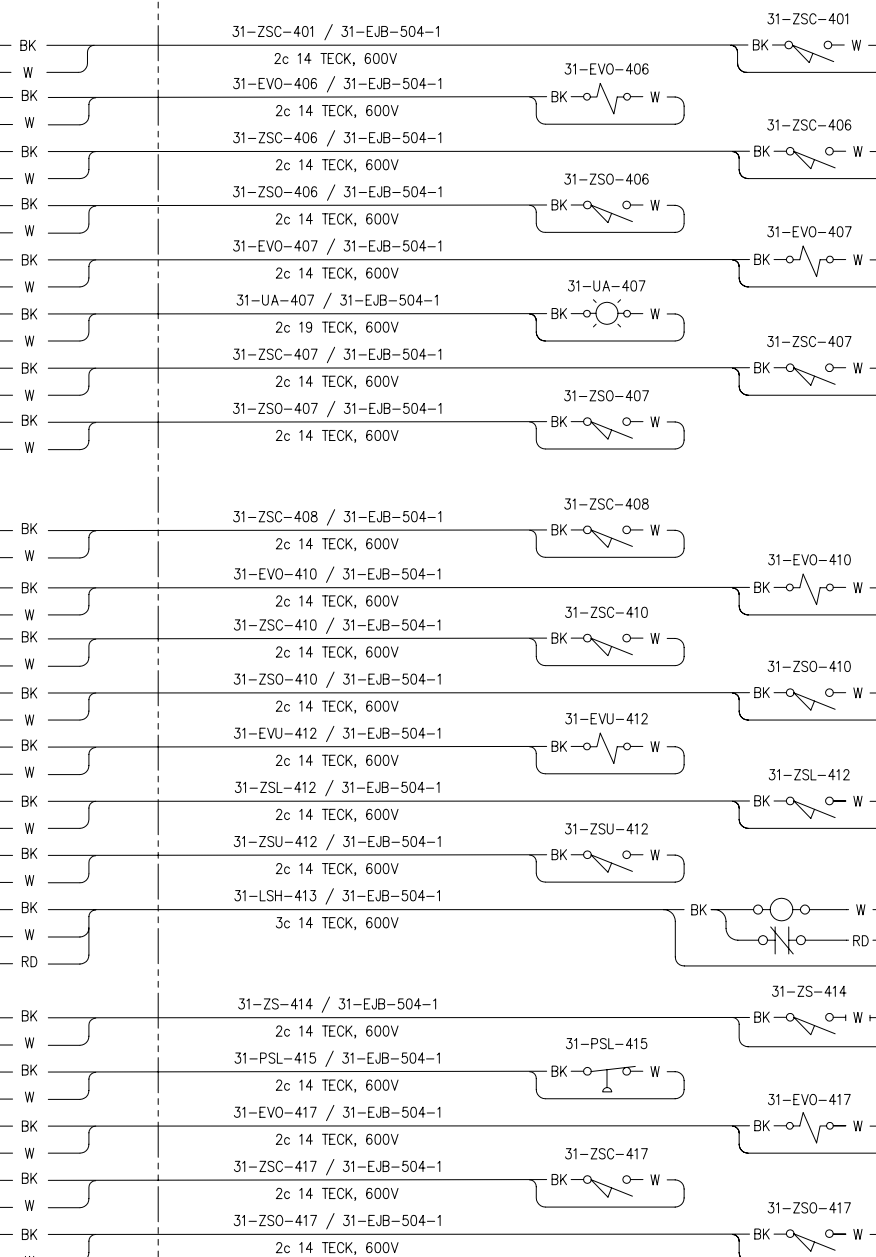
31-EJB-504-1

31-EJB-504-1

1	-	1
2	-	2
3	120 VAC	3
4	I: 4/A/640	4
5	O: 4/D/688	5
6	N	6
7	120 VAC	7
8	I: 4/A/643	8
9	120 VAC	9
10	I: 4/A/644	10
11	O: 4/D/689	11
12	N	12
13	O: 4/D/690	13
14	N	14
15	120 VAC	15
16	I: 4/A/645	16
17	120 VAC	17
18	I: 4/A/646	18
19	-	19
20	-	20
21	120 VAC	21
22	I: 4/A/647	22
23	O: 4/D/691	23
24	N	24
25	120 VAC	25
26	I: 4/A/648	26
27	120 VAC	27
28	I: 4/A/649	28
29	O: 4/D/693	29
30	N	30
31	120 VAC	31
32	I: 4/A/652	32
33	120 VAC	33
34	I: 4/A/653	34
35	120 VAC	35
36	N	36
37	I: 4/A/654	37
38	-	38
39	120 VAC	39
40	I: 4/A/655	40
41	120 VAC	41
42	I: 4/B/657	42
43	O: 4/D/695	43
44	N	44
45	120 VAC	45
46	I: 4/B/658	46
47	120 VAC	47
48	I: 4/B/659	48
49	-	49
50	-	50

31-EJB-504-1 / RR32-LM1007-R4  
50c 14 TECK, 600V

1	1	-
2	2	-
3	3	120 VAC
4	4	I: 4/A/640
5	5	O: 4/D/688
6	6	N
7	7	120 VAC
8	8	I: 4/A/643
9	9	120 VAC
10	10	I: 4/A/644
11	11	O: 4/D/689
12	12	N
13	13	O: 4/D/690
14	14	N
15	15	120 VAC
16	16	I: 4/A/645
17	17	120 VAC
18	18	I: 4/A/646
19	19	-
20	20	-
21	21	120 VAC
22	22	I: 4/A/647
23	23	O: 4/D/691
24	24	N
25	25	120 VAC
26	26	I: 4/A/648
27	27	120 VAC
28	28	I: 4/A/649
29	29	O: 4/D/693
30	30	N
31	31	120 VAC
32	32	I: 4/A/652
33	33	120 VAC
34	34	I: 4/A/653
35	35	120 VAC
36	36	N
37	37	I: 4/A/654
38	38	-
39	39	120 VAC
40	40	I: 4/A/655
41	41	120 VAC
42	42	I: 4/B/657
43	43	O: 4/D/695
44	44	N
45	45	120 VAC
46	46	I: 4/B/658
47	47	120 VAC
48	48	I: 4/B/659
49	49	-
50	50	-



- 31-ZSC-401 DIGESTER 4 150# DIRECT STEAM VALVE CLOSED LIMIT SWITCH
- 31-EVO-406 DIGESTER 4 BLOW BACK VALVE OPEN SOLENOID
- 31-ZSC-406 DIGESTER 4 BLOW BACK VALVE CLOSED LIMIT SWITCH
- 31-EVO-407 DIGESTER 4 BLOW BACK VALVE OPEN LIMIT SWITCH
- 31-UA-407 DIGESTER 4 CAPPING VALVE OPEN SOLENOID
- 31-ZSC-407 DIGESTER 4 CAPPING VALVE WARNING LIGHT
- 31-ZSO-407 DIGESTER 4 CAPPING VALVE CLOSED LIMIT SWITCH
- 31-ZSO-407 DIGESTER 4 CAPPING VALVE OPEN LIMIT SWITCH
- 31-ZSC-408 DIGESTER 4 RELIEF VALVE CLOSED LIMIT SWITCH
- 31-EVO-410 DIGESTER 4 LIQUOR VALVE OPEN SOLENOID
- 31-ZSC-410 DIGESTER 4 LIQUOR VALVE CLOSED LIMIT SWITCH
- 31-ZSO-410 DIGESTER 4 LIQUOR VALVE OPEN LIMIT SWITCH
- 31-EVU-412 DIGESTER 4 CAPPING PIN UNLOCK SOLENOID
- 31-ZSL-412 DIGESTER 4 CAPPING PIN LOCKED LIMIT SWITCH
- 31-ZSU-412 DIGESTER 4 CAPPING PIN UNLOCKED LIMIT SWITCH
- 31-LSH-413 DIGESTER 4 CHIP CHUTE LEVEL PROBE
- 31-ZS-414 SHUTTLE CAR AT DIGESTER 4 PROXIMITY SWITCH
- 31-PSL-415 DIGESTER 4 DOME LOW PRESSURE SWITCH
- 31-EVO-417 DIGESTER 4 SHAKE UP VALVE OPEN SOLENOID
- 31-ZSC-417 DIGESTER 4 SHAKE UP VALVE CLOSED LIMIT SWITCH
- 31-ZSO-417 DIGESTER 4 SHAKE UP VALVE OPEN LIMIT SWITCH

**E&I ENGINEERING LTD.**  
Fredericton, NB

A	FOR QUOTATION	ESR	ES	16/10/00				
NO	REVISION	BY	CKD	DATE				

PRELIMINARY  
NOT FOR  
CONSTRUCTION  
ENGINEER TO  
STAMP LATER

DESIGNED ESR	DRAWN AWL
CHECKED ES	DATE: D/M/Y 13/10/00
	SCALE NONE
APPROVED ESR	SPEC 10004SP03
P.M. ESR	P.T. AWL
	Consult. Dwg.# 10004-153

PROJECT 1000+	
ELECTRICAL JUNCTION BOX 31-EJB-504-1 DIGESTER 4A	
JOB No. 10004	DWG. No. 3-1-5002 SHT. No. 504-1

